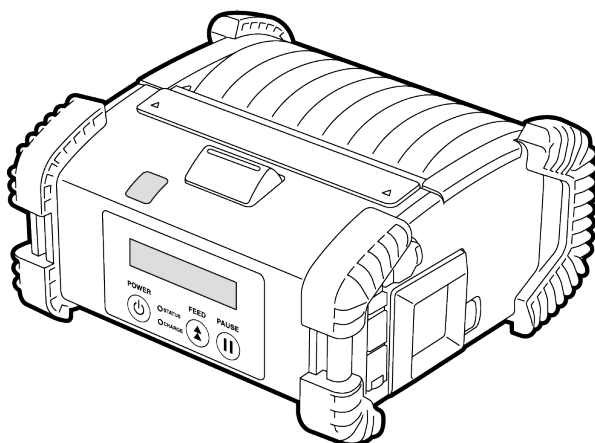


# TOSHIBA

Toshiba Portable Printer

## B-EP4DL SERIES

### Owner's Manual



**CE compliance:**

This product is labelled with the CE mark in accordance with the provisions of the applicable European Directives for this product and the electric accessories.

CE marking is the responsibility of Toshiba Tec Germany Imaging Systems GmbH,  
Carl-Schurz-Str. 7, 41460 Neuss, Germany, phone +49-(0)-2131-1245-0.

For a copy of the related CE Declaration of Conformity, please contact your dealer, Toshiba Tec Germany Imaging Systems GmbH or Toshiba Tec Corporation.

**UKCA compliance:**

This product is labelled with the UKCA mark in accordance with the provisions of the applicable UK legislations for this product and the electric accessories.

UKCA marking is the responsibility of Toshiba Tec U.K. Imaging Systems Ltd,  
Abbey Cloisters, Abbey Green, Chertsey, Surrey, KT16 8RB, phone +44-(0)-843 2244944.

For a copy of the related UKCA Declaration of Conformity, please contact your dealer, Toshiba Tec U.K. Imaging Systems Ltd or Toshiba Tec Corporation.

**FCC Notice:**

(Except for B-EP4DL-GH42-QM-R)

1. This equipment has been tested and found to comply with the limits for a Class B digital device, pursuant to Part 15 of the FCC rules. These limits are designed to provide reasonable protection against harmful interference in a residential installation. This equipment generates, uses, and can radiate radio frequency energy and, if not installed and used in accordance with the instructions, may cause harmful interference to radio communications. However, there is no guarantee that interference will not occur in a particular installation. If this equipment does cause harmful interference to radio or television reception, which can be determined by turning the equipment off and on, the user is encouraged to try to correct the interference by one or more of the following measures:

- Reorient or relocate the receiving antenna.
- Increase the separation between the equipment and receiver.
- Connect the equipment into an outlet on a circuit different from that to which the receiver is connected.
- Consult the dealer or an experienced radio/TV technician for help.

2. Changes or modification not expressly approved by manufacturer for compliance could void the user's authority to operate the equipment.

(For B-EP4DL-GH42-QM-R)

This equipment has been tested and found to comply with the limits for a Class A digital device, pursuant to part 15 of the FCC Rules. These limits are designed to provide reasonable protection against harmful interference when the equipment is operated in a commercial environment. This equipment generates, uses, and can radiate radio frequency energy and, if not installed and used in accordance with the instruction manual, may cause harmful interference to radio communications. Operation of this equipment in a residential area is likely to cause harmful interference in which case the user will be required to correct the interference at his own expense.

(Except for B-EP4DL-GH42-QM-R)

"This Class B digital apparatus meets all requirements of the Canadian Interference-Causing Equipment Regulations."

"Cet appareil numérique de la classe B respecte toutes les exigences du Règlement sur le matériel brouilleur du Canada."

(For B-EP4DL-GH42-QM-R)

"This Class A digital apparatus meets all requirements of the Canadian Interference-Causing Equipment Regulations."

"Cet appareil numérique de la classe A respecte toutes les exigences du Règlement sur le matériel brouilleur du Canada."

(for CANADA only)

**VORSICHT:**

Maschinenlärminformations-Verordnung 3. GPSGV, der höchste Schalldruckpegel beträgt 70 dB(A) oder weniger gemäß EN ISO 7779.

Some types of this product are equipped with a wireless communication device, such as BTM411 and RS9113DB. Please be sure to read the enclosed Precautions for Handling of Wireless Communication Devices before using this product.

**Note:**

When you purchase interface cables on the market, shielded cables must be chosen and used.

**Notification (for Turkey)**

AEEE Yönetmeliğine Uygundur.



**This product is designed for commercial usage and is not consumer product.**



This product is marked according to the requirement on Waste electrical and electronic equipment - WEEE.

The use of the symbol indicates that product may not be disposed as unsorted municipal waste and has to be collected separately. By ensuring this product is disposed of correctly, you will help prevent potential negative consequences for the environment and human health, which could otherwise be caused by inappropriate waste handling of this product.

For more detailed information about the take-back and recycling of this product please contact your supplier where you purchased the product.



This symbol is applicable for EU member states only

Battery users must not dispose of batteries as unsorted general waste, but treat properly.

**CALIFORNIA PROPOSITION 65 WARNING**

 **WARNING:**

This product can expose you to chemicals including DINP, which is/are known to the State of California to cause cancer, and chemicals including Phthalate[s], which is/are known to the State of California to cause birth defects or other reproductive harm.

For more information go to:  
[www.P65Warnings.ca.gov](http://www.P65Warnings.ca.gov)

**CAUTION!**

1. Only use Toshiba Tec battery packs designed and manufactured for use with the specific printer model. There is a risk of explosion if the battery is replaced by an incorrect type. Dispose of used batteries according to the instructions.

B-EP4DL-GH20-QM-R	}	B-EP804-BT-QM-R
B-EP4DL-GH32-QM-R		
B-EP4DL-GH42-QM-R		

2. When an external power source such as an AC adapter is connected to the printer, DO NOT use any device other than an exclusive one.  
AC adapter: B-EP800-AC-QM-R (Model: FSP065-REBN2)

**Following information is only for India:**



The use of the symbol indicates that this product may not be treated as household waste. By ensuring this product is disposed of correctly, you will help prevent potential negative consequences for the environment and human health, which could otherwise be caused by inappropriate waste handling of this product.

For more detailed information about the take-back and recycling of this product, please contact your supplier where you purchased the product.

This product including components, consumables, parts and spares complies with the "India E-Waste Rules" and prohibits use of lead, mercury, hexavalent chromium, polybrominated biphenyls or polybrominated diphenyl ethers in concentrations exceeding 0.1% by weight and 0.01% by weight for cadmium, except for the exemption set in the Rule.

## **Precautions for Handling of Wireless Communication Devices**

**Bluetooth® Module: BTM411 (B-EP4DL-GH32-QM-R)**

**Wireless LAN Module: RS9113DB (B-EP4DL-GH42-QM-R)**

### **Trade Mark**

Bluetooth is a registered trademark owned by Bluetooth SIG, Inc. and used by Toshiba Tec Corporation under license.

### **Cautions**

#### **General**

For all countries and areas

This product is a wireless communication device, and the use of this product is restricted to the following countries or areas. If the product is used in the countries or areas other than the following, you may be punished according to the laws of those countries or areas.

USA, Canada, Austria, Belgium, Bulgaria, Croatia, Cyprus, Czech Republic, Denmark, Estonia, Finland, France, Germany, Greece, Hungary, Ireland, Italy, Latvia, Lithuania, Luxembourg, Malta, Netherlands, Poland, Portugal, Romania, Slovakia, Slovenia, Spain, Sweden, United Kingdom, Switzerland, Norway, Iceland, Liechtenstein, Australia, New Zealand

#### **For USA**

This device complies with Part 15 of the FCC Rules. Operation is subject to the following two conditions:

- (1) this device may not cause harmful interference, and
- (2) this device must accept any interference received, including interference that may cause undesired operation.

Changes or modification not expressly approved by manufacturer for compliance could void the user's authority to operate the equipment.

#### **For Canada**

Operation is subject to the following two conditions:

- (1) this device may not cause interference, and
- (2) this device must accept any interference, including interference that may cause undesired operation of the device.

To prevent radio interference to the licensed service, this device is intended to be operated indoors and away from windows to provide maximum shielding. Equipment that is installed outdoors is subject to licensing.

Without permission, any company, firm or user shall not alter the frequency, increase the power, or change the characteristics and functions of the original design of the certified lower power frequency electric machinery.

The application of low power frequency electric machineries shall not affect the navigation safety nor interfere a legal communication, if an interference is found, the service will be suspended until improvement is made and the interference no longer exists.

#### **For safety**

Do not use this product in locations where use may be forbidden, for example, in an aeroplane or a hospital. If you do not know the forbidden areas, please refer to and follow the airline company or medical institution guidelines. Flight instrument or medical equipment may be affected, causing a serious accident.

Since this product uses extremely low power compared with mobile phones, it cannot possibly interfere the pacemakers and defibrillators. However, if the use of this product should be likely to have affected the pacemaker or defibrillator, immediately stop using the product and contact your Toshiba Tec sales agent.

Do not disassemble, modify, or repair the product. Doing so may cause injury. Also, modification is against the Laws and Regulations for Radio Equipment. Please ask your Toshiba Tec sales agent for repair.

#### **Precaution in use**

This product communicates with other devices by radio. Depending on the installation location, orientation, environment, etc., its communication performance may deteriorate or devices installed near by may be affected.

#### **For Mexico**

Legend:

- La operación de este equipo está sujeta a las siguientes dos condiciones:

- (1) es posible que este equipo o dispositivo no cause interferencia perjudicial y
- (2) este equipo o dispositivo debe aceptar cualquier interferencia, incluyendo la que pueda causar su operación no deseada

Keep away from a microwave.

Communication performance may deteriorate or a communication error may occur due to the radio emitted from a microwave.

Since the Bluetooth and wireless LAN use the same radio frequency band, each radio wave may interfere with each other when they are used at the same time, causing a deterioration of communication performance or a disconnection of network. If there is any problem with connection, please stop using either Bluetooth or wireless LAN.

Do not use the product on a metal table or near a metal object.

Communication performance may be deteriorated.

#### **BTM411 Specification**

- Bluetooth class 2
- Built-in protocol stack activated by Bluetooth V2.1+EDR serial port profile
- Operating temperature: -15 to 50°C 25% to 85%RH (No condensation)
- Dimensions: 22.5 mm (W) x 12 mm (H) x 3.4 mm (D)  
(Only Module condition)
- Frequency range: 2.402 to 2.480 GHz
- Effective radiated power: +0dBm (total)
- Modulation method: FHSS  
(Frequency Hopping Spread Spectrum)

#### **RS9113DB Specification**

- Standard: IEEE802.11 a/b/g/n
- Frequency: 2412 MHz to 2484 MHz/4910MHz to 5825 MHz
- Spacing: 5 MHz (2.4GHz), 20 MHz (5GHz)
- Channel: US: 1 to 11, 36 to 48, 52 to 64, 100 to 116, 120 to 128, 132 to 140, 149 to 165  
Europe: 1 to 13, 36 to 48, 52 to 64, 100 to 140
- Antenna: PCB Trace antenna (built-in module) @2.0dBi
- Communication speed / Modulation:  
802.11b: 1, 2, 5.5, 11 Mbps  
802.11g: 6, 9, 12, 18, 24, 36, 48, 54 Mbps  
802.11n: MCS0 to MCS7 with and without Short GI OFDM with BPSK, QPSK,  
16-QAM, and 64-QAM 802.11b with CCK and DSSS
- Receive sensitivity: -97 dBm
- Transmission output: 18 dBm

#### **WARNING!**

Do not use the 5GHz band for communication outdoors. Using wireless devices outdoors on the 5GHz band is prohibited. To operate the wireless LAN of this product outdoors, only use the 2.4GHz band.

#### **CAUTION!**

- 1.To avoid injury, be careful not to catch or jam your fingers while opening or closing the cover.
- 2.Do not touch moving parts. To reduce the risk that fingers, jewelry, clothing, etc., be drawn into the moving parts, turn off the power switch to stop movement.

### **Safety Summary**

Personal safety in handling or maintaining the equipment is extremely important. Warnings and Cautions necessary for safe handling are included in this manual. All warnings and cautions contained in this manual and written inside or outside of the printer should be read and understood before handling or maintaining the equipment.

Do not attempt to effect repairs to this equipment. If a fault occurs that cannot be rectified using the procedures described in this manual, turn off the power, then contact your authorised Toshiba Tec representative for assistance.

### **Safety Precautions**

This Owner's Manual and the products (machines) which you have purchased contain indications which should be observed in order to use the machines safely and prevent harm to yourself and others and damage to property. The meanings of these indications and symbols are given below.

Read these indications and become familiar with their contents before reading this Owner's Manual.

### **Precautions**

The following precautions will help to ensure that this machine will continue to function correctly.

(1) Try to avoid locations that have the following adverse conditions:

\*Temperatures out of the specification

\*High Humidity

\*Direct sunlight

\*Excessive vibration

(2) The cover should be cleaned by wiping with a dry cloth or a cloth slightly dampened with a mild detergent solution. NEVER USE THINNER OR ANY OTHER VOLATILE SOLVENT on the plastic covers.

(3) USE ONLY Toshiba Tec SPECIFIED media.

(4) DO NOT STORE the media where it might be exposed to direct sunlight, high temperatures, high humidity, dust, or gas.

(5) Any data stored in the memory of the printer could be lost during a printer fault.

(6) DO NOT open the top cover and battery cover during operation. Doing so will stop printer operation.

(7) DO NOT scratch the surface of printed labels or receipt with a sharp object.

(8) Be sure to use a shielded interface cable.

### **CAUTION!**

1. *This manual may not be copied in whole or in part without the prior written permission of Toshiba Tec.*

2. *The contents of this manual may be changed without notification.*

3. *Please refer to your local Authorised Service representative with regard to any queries you may have in this manual.*

**WARNING**

This indicates that there is the risk of death or serious injury if the machines are handled improperly or contrary to this indication.

- If water or any other liquid enters the machine, turn off the power. Continuous use of the machine under such conditions may cause fire or electric shock.
- If the enclosure is damaged when dropped or subject to shock, turn off the power. Continuous use of the machine under such conditions may cause fire or electric shock.
- Avoid continuous exposure to direct sunlight or high temperature as this may cause fire.
- Do not remove covers or modify the machine by yourself. Doing so may cause fire or electric shock.
- Avoid water, operation with wet hands or cleaning with a moistened cloth. Failure to do this may cause fire or electric shock.
- Do not wipe the machine with a cloth moistened with thinner or other volatile solvent as this may cause fire or electric shock.
- DO NOT USE a spray cleaner containing flammable gas for cleaning this product, as this may cause a fire.
- Use the specified battery only. Failure to do this may cause fire or electric shock.
- Danger of explosion if the battery is incorrectly replaced. Replace the battery only with Toshiba Tec Corporation, Battery Pack Model B-EP804-BT-QM-R. Discard used batteries according to the manufacturer's instruction.
- Do not disassemble and modify the battery because it has a protection unit in it. Doing so may break the protection unit, causing the battery to heat up, burst or burn.
- If the battery gets wet, dry it completely. Using a wet battery may cause fire or electric shock.
  
- Be aware of the following precautions when using batteries. Otherwise they could heat up, burst or burn.
  - Do not throw the battery into fire or heat it with a microwave or oven, etc.
  - Do not load the battery with the electrodes reversed.
  - Do not connect the electrodes with metal objects like wire. Do not carry or store the battery along with metal objects such as necklaces, hairpins, etc.
  - Do not stick a needle into, hammer, step on, or drop the battery.
  - Do not solder the battery.
  - Do not leave the battery where the temperature is more than 50°centigrade, such as inside a car or in direct sunlight.

**CAUTION**

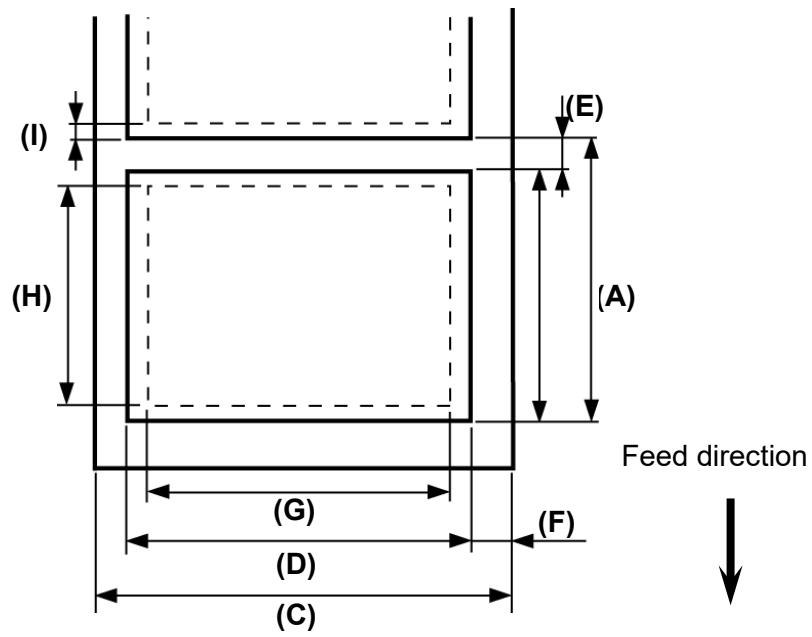
This indicates that there is the risk of personal injury or damage to objects if the machines are improperly handled contrary to this indication.

- Keep away from flame or other sources of heat. Failure to do this may cause fire or machine failure.
- Do not drop or shock the machine as this may cause machine failure.
- During lightning, turn off and keep away from the machine because of danger of electric shock and machine failure.
- Avoid locations subject to rapid change in temperature as this causes condensation, causing electric shock or machine failure.
- Do not damage the print head, platen or strip roller with a sharp object. Doing so may cause machine failure.
- Do not touch or contact the print head element with a hard object. Doing so may cause machine failure.
- Use the specified media only. Failure to do this may cause machine failure.
- Be sure to turn off the machine before replacing the battery, or machine failure may occur.
- Do not charge the battery near flame or under direct sunlight. High temperature may activate or damage the protection unit of the battery, disabling the electric charge or causing it to overheat, burst, or burn.
- Unload the battery when the machine will not be used for a longtime. Failure to do this may cause machine failure.
- Keep the battery away from flame, a heat source or other locations subject to high temperature. Failure to do this may cause it to over heat or burn.
- Do not force the battery into the machine or battery charger. Doing so may cause the battery to overheat, burst or burn. Check for the correct electrode.
- Do not connect the battery to a power outlet or a car cigarette lighter jack as this may cause the battery to overheat, burst or burn.
- Because the B-EP804-BT-QM-R Series battery is exclusively for the B-EP4DL Series printer, do not use the battery in other machines. Doing so may damage the battery or affect the performance and life of the battery.

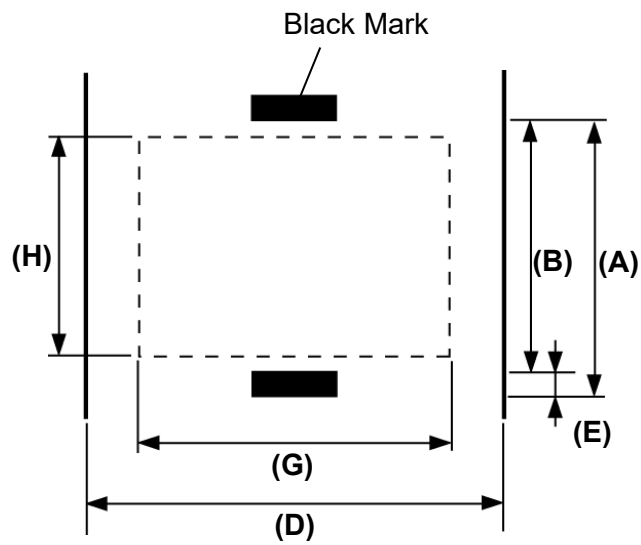


# Media Specification

## ■ Label



## ■ Tag/Receipt



## B-EP4DL Series

(Unit: mm)

Item \ Media	Label		Tag/Receipt	Receipt
	Batch mode	Strip mode	With black mark	No black mark
(A) Label/Receipt pitch	10.0 - 999.9	13.0 - 67.0	10.0 - 999.9	---
(B) Label/Receipt length	7.0 - 997.0	10.0 - 60.0	7.0 - 997.0	---
(C) Backing paper width	50.0 - 115.0		---	
(D) Media width	48.0 - 113.0		50.0 - 115.0	
(E) Gap/black mark length	3.0 - 7.0		3.0 - 7.0	---
(F) Vertical gap	1.0 - 7.0		---	
(G) Effective print width	104.0			
(H) Effective print length	7.0 - 995.0	8.0 - 58.0	7.0 - 995.0	---
(I) Top and bottom margin	Min. 1.0			---
Outer roll diameter	Φ68 (max.)			
Roll direction	Outside			

**NOTE:**

*Do not use the media other than the above to ensure print quality and print head life.*

## **CARE/HANDLING OF THE MEDIA**

### **CAUTION!**

*Be sure to read carefully and understand the Supply Manual. Use only media that meets specified requirements. Use of non-specified media may shorten the head life and result in problems with bar code readability or print quality. All media should be handled with care to avoid any damage to the media or printer. Read the following guideline carefully.*

- Do not store the media for longer than the manufactures recommended shelf life.
- Store media rolls on the flat end, do not store them on the curved sides as this might flatten that side causing erratic media advance and poor print quality.
- Store the media in plastic bags and always reseal after opening. Unprotected media can get dirty and the extra abrasion from the dust and dirt particles will shorten the print head life.
- Store the media in a cool, dry place. Avoid areas where they would be exposed to direct sunlight, high temperature, high humidity, dust or gas.
- The thermal paper used for direct thermal printing must not have specifications which exceed  $\text{Ca}^{++}$  800 ppm,  $\text{Na}^+$  800 ppm,  $\text{K}^+$  800 ppm and  $\text{Cl}^-$  600 ppm.
- Some ink used on pre-printed labels may contain components which shorten the print head's product life. Do not use labels pre-printed with ink which contains hard substances such as carbonic calcium ( $\text{CaCO}_3$ ) and kaolin ( $\text{Al}_2\text{O}_3$ ,  $2\text{SiO}_2$ ,  $2\text{H}_2\text{O}$ ).

For further information please contact your local distributor or your media manufacturer.

# Printer Specification

## B-EP4DL Series

Model	B-EP4DL-GH20-QM-R	B-EP4DL-GH32-QM-R	B-EP4DL-GH42-QM-R
Driving power source	Lithium ion battery 14.8V, 2600mAh(Nominal value) (Batter pack model name: B-EP804-BT-QM-R)		
Printable count	Approx. 100m/Full charge (It depends on the operating environment, print conditions, battery condition, etc.)		
Life cycle	300 cycles		
Print method	Direct thermal		
Resolution	8 dots/mm (203 dpi)		
Print speed	Max. 105.0 mm/sec. (It depends on the operating environment, print conditions, battery condition, etc.)		
Issue mode	Peel-off/Batch		
Effective print width	Max. 104.0 mm		
Font	[Bitmap Font] Times Roman, Helvetica, Presentation, Letter Gothic, Prestige Elite, Courier, OCR-A, OCR-B, GOTHIC725 Black, Standard character, Bold character, Price font 1, Price font 2, Chinese character, Writable character [Outline font] Helvetica (w/wo proportional), Price font 1, Price font 2, Price font 3		
Bar code	JAN8/EAN8, JAN13/EAN13, UPC-A/E, CODE39, CODE93, CODE128/EAN128, MSI, NW-7, ITF, Customer bar code, GS1 Databar (Omnidirectional/Truncated/Stacked/Stacked Omnidirectional/Limited/Expanded/Expanded Stacked)		
2-dimensional code	QR code, Data Matrix, PDF417, Maxicode, MicroPDF417		
Media detection sensor	Transmissive/Reflective/Peel-off		
Interface			
IrDA (IrDA V1.2 Low power)	○	○	○
USB (V2.0)	○	○	○
RS-232C	○	---	---
Bluetooth	---	V2.1+EDR	---
Wireless LAN	---	---	IEEE802.11a/b/g/n
Operating temperature	-15°C to 50°C	-15 to 50°C	0°C to 50°C
	(During battery charge: 0°C to 40°C/LCD display: 0°C to 50°C)		
Operating humidity	10%RH to 90%RH (No condensation)		
Storage temperature	-25°C to 60°C		
Storage humidity	10%RH to 90%RH (No condensation)		
Dimensions (Unit: mm)	150.0 (W) x 145.0 (L) x 75.0 (D) (Excluding the projecting parts.)		
Weight	B-EP4DL-GH20-QM-R, B-EP4DL-GH32-QM-R: Approx. 860 g B-EP4DL-GH42-QM-R: Approx. 890 g (Battery pack included, media and other accessories excluded.)		
Accessories	Battery pack x1, Print head cleaner x 1, Belt clip x1, Belt clip mounting screw x 2, Ferrite Core x 1, Owner's Manual x 1 BD Address Label x 2 (B-EP4DL-GH32-QM-R)		
Option	Single-slot battery charger (B-EP800-CHG-QM-R), 6-slot battery charger (B-EP800-CHG6-QM-R), AC adapter (B-EP800-AC-QM-R), Battery pack (B-EP804-BT-QM-R), Shoulder strap (B-EP900-SS-QM-R)		

### Supplement

Specification of this printer may be changed without prior notice.

## Daily maintenance

To help retain the high quality and performance of your printer, it should be cleaned regularly.

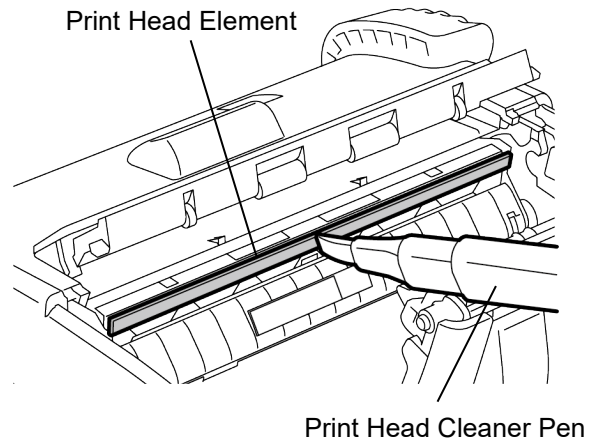
### **CAUTION!**

- *DO NOT USE a sharp object to clean the print head or various rollers, as this may cause a print failure or breakdown of the printer.*
- *NEVER USE any volatile solvent including thinner and benzene, as this may cause a print failure or breakdown of the printer.*
- *Do not touch the print head element with bare hands, as static may damage the print head.*

### ■ Print head

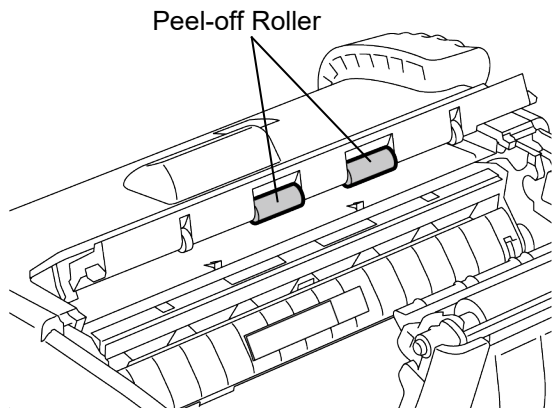
Wipe the print head element with a supplied print head cleaner pen.

When linerless labels are used, wipe off dirt of residual glues from the Print head each time one or two media rolls are used up.



### ■ Peel-off Roller

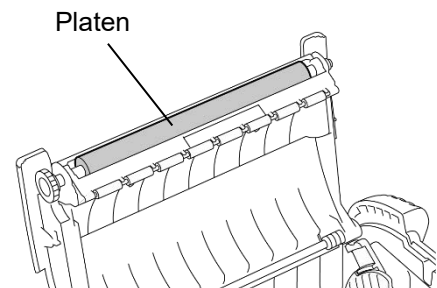
Wipe clean the Peel-off Roller with a soft cloth slightly moistened with absolute ethyl alcohol while rotating the rollers.



### ■ Platen

Wipe clean the platen with a soft cloth slightly moistened with absolute ethyl alcohol, while rotating the platen.

Clean the platen of the linerless label kit in the same way. Cleaning should be performed each time one or two media rolls are used up.

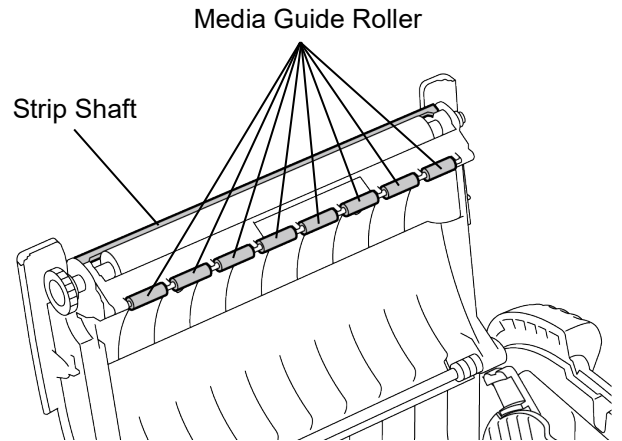


### ■ Media Guide Roller and Strip Shaft

Wipe clean the Media Guide Rollers with a soft cloth moistened with absolute ethyl alcohol while rotating the rollers.

Wipe clean the strip shaft with a soft cloth slightly moistened with absolute ethyl alcohol.

Clean the strip shaft of the linerless label kit in the same way. Cleaning should be performed each time one or two media rolls are used up

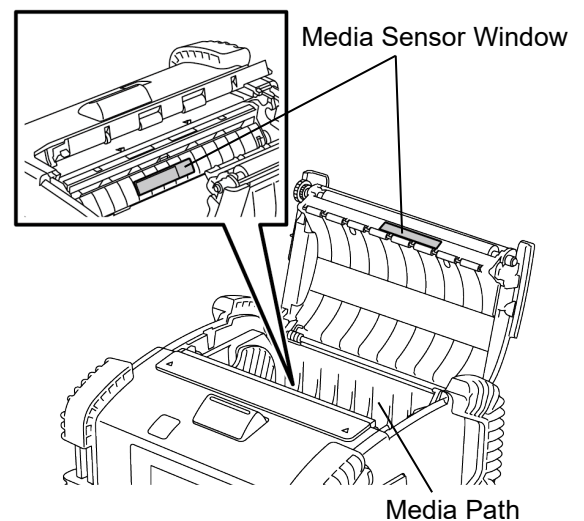


### ■ Media Sensor Window and Media Path

Remove dust or dirt from the Media Sensor Window with a commercially available soft, dry brush.

Wipe clean the Media Path with a soft dry cloth.

When linerless labels are used, wipe off dirt of residual glues from the Media Guides each time one or two media rolls are used up.

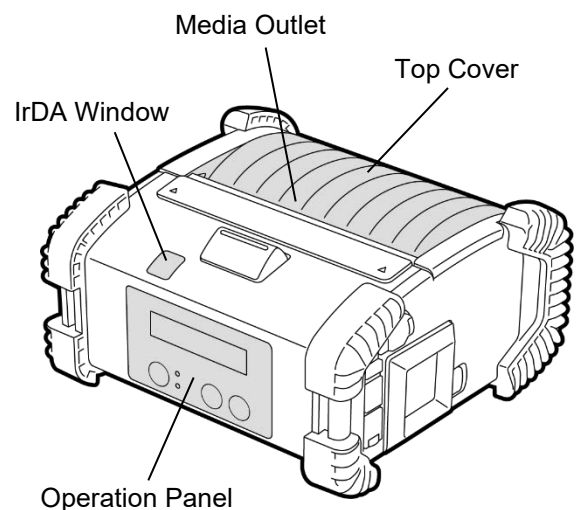


### ■ Top Cover, Operation panel, and IrDA Window

Wipe clean the cover, operation panel, and IrDA window with a soft dry cloth slightly moistened with absolute ethyl alcohol.

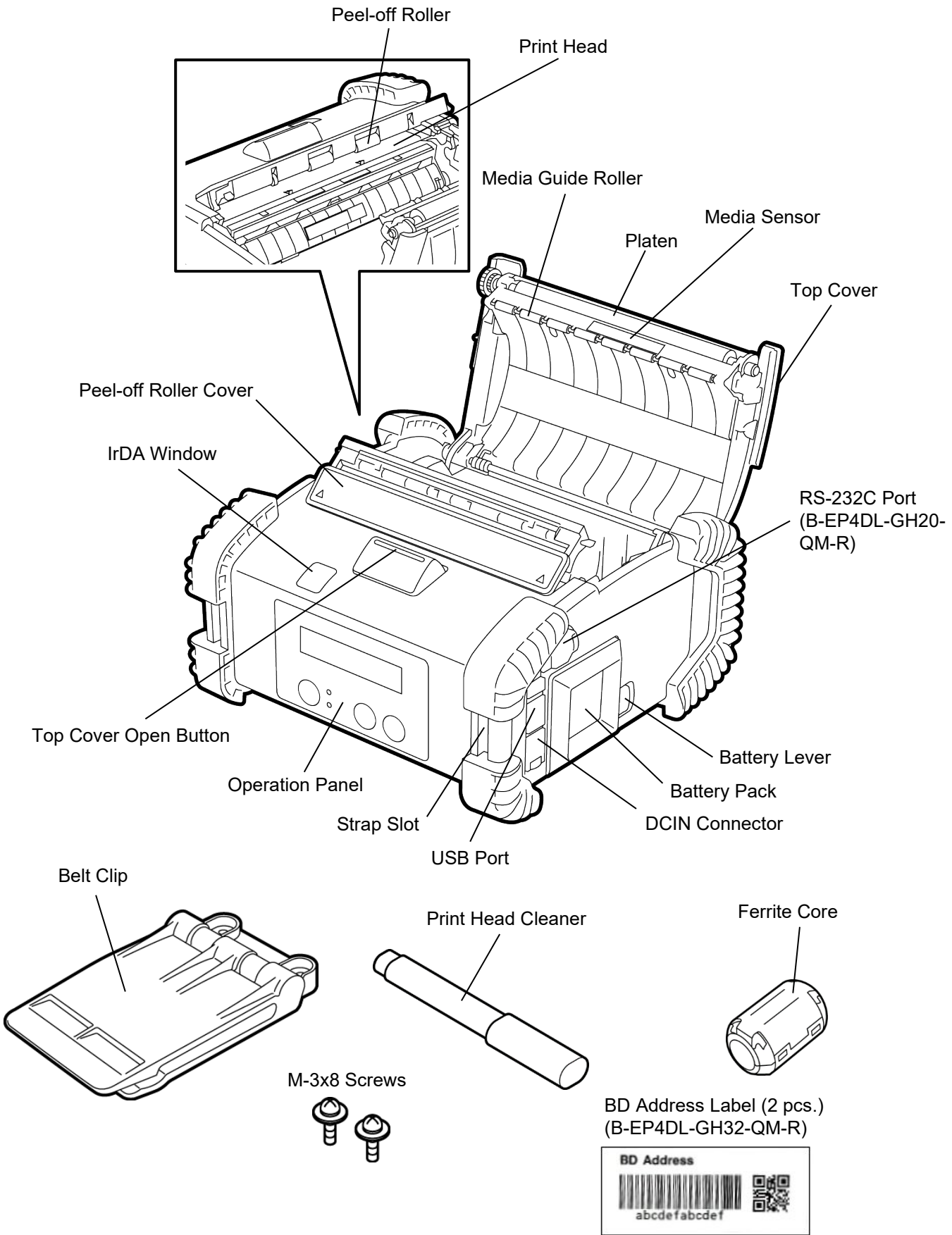
Remove any dirt or residual glues from the media outlet with a cotton swab slightly moistened with absolute ethyl alcohol.

When linerless labels are used, wipe off dirt of residual glues from the Top Cover or Media Outlet each time one or two media rolls are used up.

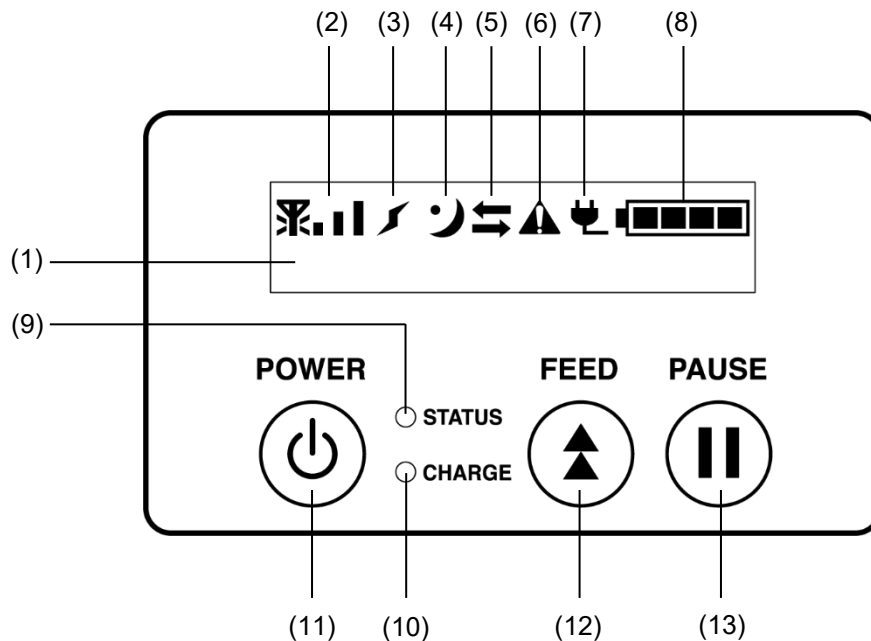


# Part Names

## B-EP4DL Series



## Operation Panel Functions



**NOTE:**  
Do not touch the Operation panel with a sharp object, as the surface of the Operation panel is easily damaged.

No.	Name/Icon	Function/Usage	
(1)	Liquid Crystal Display (16 lines x 2 lines)	Upper line: Icons indicating the printer statuses, such as the radio intensity, battery level, etc. are displayed. Lower line: Printer status is indicated in alphanumerals or symbols.	
	LCD Message	ON LINE	The printer is ready for an issue command from the host.
		PAUSE	The printer is in pause state. When the printer is paused during printing, the number of unprinted labels is displayed.
		COVER OPEN	The top cover is open.
		LBL PRESENT ****	The printer is waiting for the printed label to be removed from the media outlet. "****" indicates the number of unprinted labels.
		WAITING(XXXX)	The printer is waiting for a recovery of the battery voltage or temperature decrease of the print head or motor.
(2)	Radio intensity	Indicates the radio intensity in 4 levels (B-EP4DL-GH42-QM-R)	
(3)	Connection	Indicates an access point connection status (B-EP4DL-GH42-QM-R)	
(4)	Sleep	Displayed while the printer is in the power save mode.	
(5)	Transmission	Indicates data transmission status.	
(6)	Error	Displayed when an error occurred on the printer.	
(7)	External power source	Displayed when the printer is charged with an optional device.	
(8)	Battery level	Indicates the battery level in 5 levels.	
(9)	STATUS lamp	Lights or blinks in green, red, or orange to indicate the printer status. <ul style="list-style-type: none"> <li>• Lights up in green: Normal state</li> <li>• Lights up in orange: Near a low-battery state (Operable)</li> <li>• Lights up in red: Low-battery state</li> <li>• Blinks in green or orange: Communicating or internal processing is in progress or a printed label is waiting to be removed.</li> <li>• Blinks in red: Error state</li> </ul>	



No.	Name/Icon	Function/Usage
(10)	CHARGE lamp	Lights up in orange while the battery pack is charged and goes out when the battery charge is completed.
(11)	[POWER] button	<p>Turns on or off the printer.</p> <p><b>How to turn on the printer</b>  While the printer is off, hold down the POWER button for a few seconds. When "ONLINE" is displayed on the LCD, the printer is ready.</p> <p><b>How to turn off the printer</b>  Hold down the POWER button until the LCD goes off.</p>
(12)	[FEED] button	<p>Feeds media or reprints a previously printed data.</p> <p>Function of the [FEED] button differs depending on the issue mode.</p>
(13)	[PAUSE] button	<p>Temporarily stops media issue or restarts printing.</p> <p>Used to recover the printer after clearing an error.</p>

## Loading a battery pack

### **WARNING!**

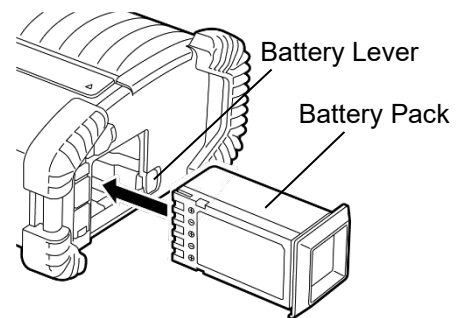
1. If the battery pack leaks liquid or gives out smoke or bad smell, immediately stop using it and keep it away from fire. Failure to do this may cause explosion or combustion.
2. In the United States, used lithium ion batteries should be returned to the store where you bought the machine. (USA only)
3. LITHIUM ION BATTERY DISPOSE OF PROPERLY  
**Caution: Do not handle damaged or leaking lithium ion battery.**
4. To avoid injury, be careful not to drop the battery pack on your foot.

Pushing aside the Battery Lever with the Battery Pack, insert the Battery Pack into the printer to the bottom. The Battery Pack is locked by the Battery Lever.

Be careful of the orientation of the Battery Pack.

### **NOTE:**

- Be sure to use a battery pack designed and manufactured for use with the specific model.  
B-EP4DL series: B-EP804-BT-QM-R
  - When unpacked, the battery level of the supplied Battery Pack is not full. Please charge the Battery Pack with an optional Battery Charger or load the Battery Pack in the printer and connect an optional adapter before using it.
- ◆ Single-slot Battery charger: B-EP800-CHG-QM-R
  - ◆ 6-slot Battery Charger: B-EP800-CHG6-QM-R
  - ◆ AC Adapter: B-EP800-AC-QM-R

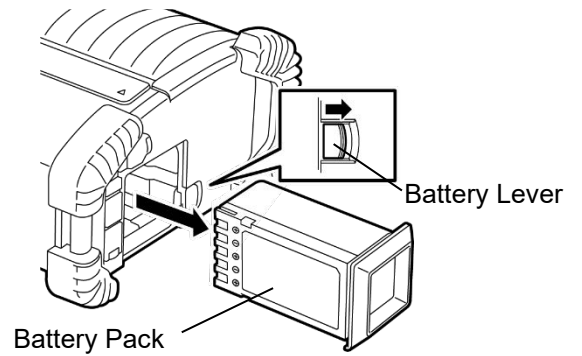


### **CAUTION!**

**DO NOT CONNECT** any device other than the above to the printer.

## Removing a battery pack

Slide the Battery Lever in the direction of the arrow, and remove the Battery Pack from the printer.



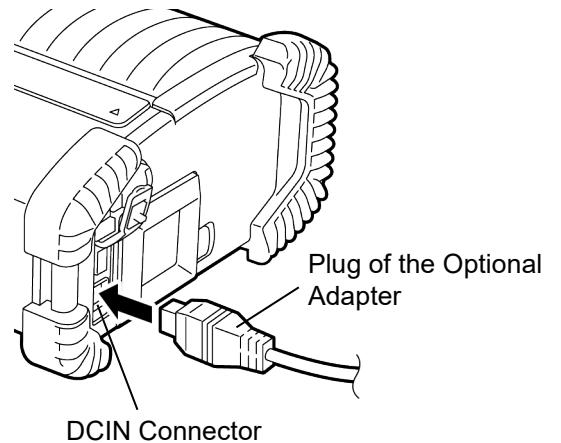
## Charging the Battery Pack with an Optional Adapter

When charging the battery pack in the printer using an optional AC Adapter, insert the plug of the adapter into the DCIN Connector of the printer.

**NOTE:**

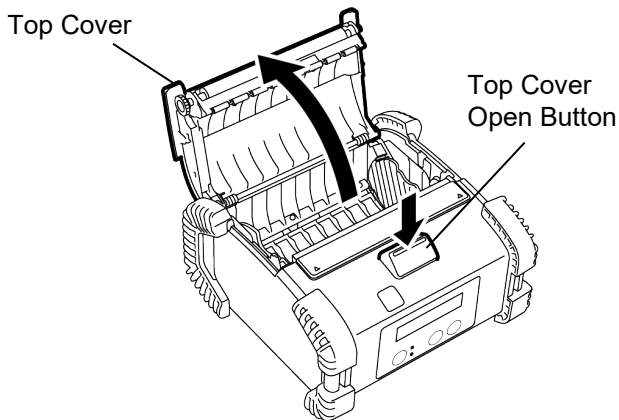
*For details, please refer to the Owner's Manual of respective optional adapters.*

When using an optional battery charger to charge the battery packs, please refer to the Owner's Manual of respective models of battery charger.



## Loading the Media

1. Press the Top Cover Open Button to open the Top Cover.

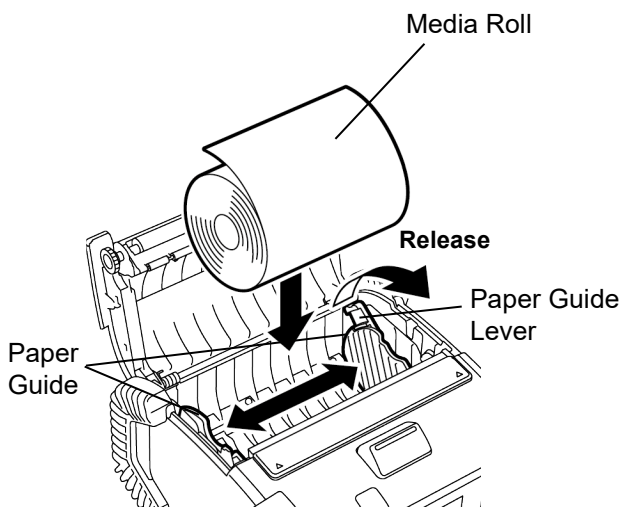


2. Move the Paper Guide Lever toward the Operation Panel and the Paper Guides outward.

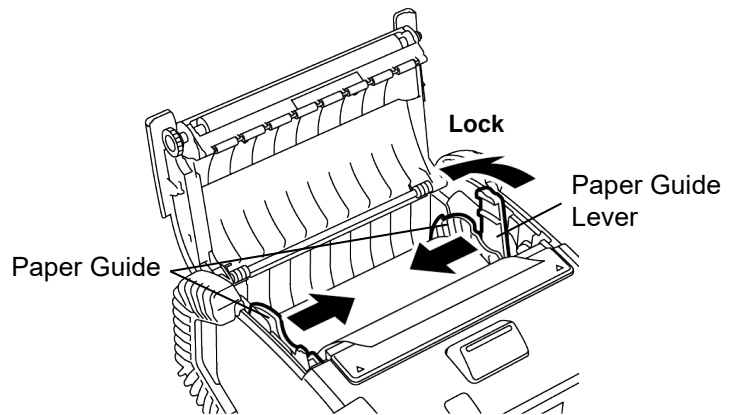
**NOTE:**

*Do not move the Paper Guides without unlocking the Paper Guide Lever. Doing this may break the Paper Guide.*

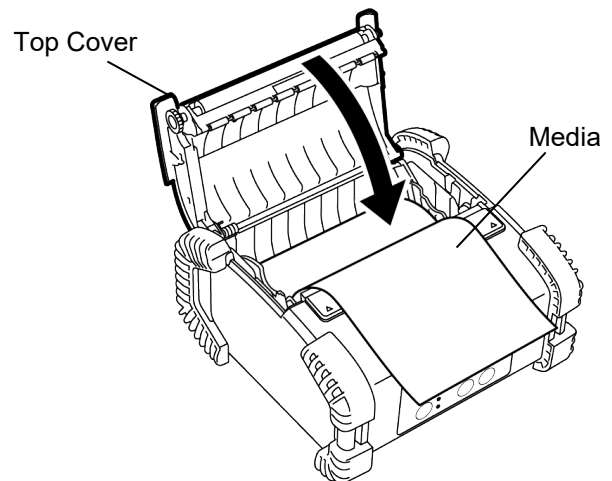
3. Place a media roll in the printer. Only outside wound media is acceptable.



4. Adjust the Paper Guides to the media roll width.
5. Push back the Paper Guide Lever to lock the Paper Guides.



6. Pull the top edge of the media toward the Operation Panel, and close the Top Cover removing slack of the media.



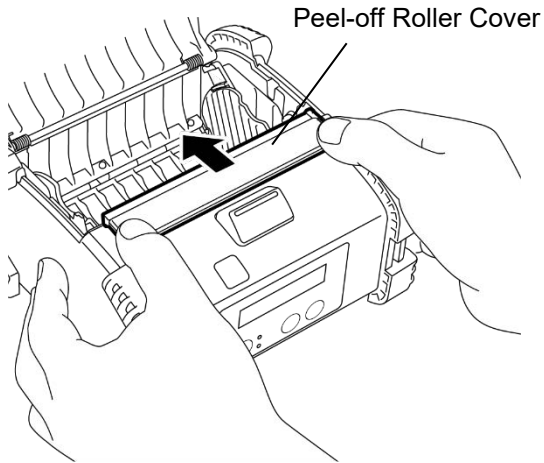
**NOTE:**

- Please use Toshiba Tec approved media only. We are not responsible for any print result caused by use of other media
- When you order media, please contact the nearest Toshiba Tec representative.

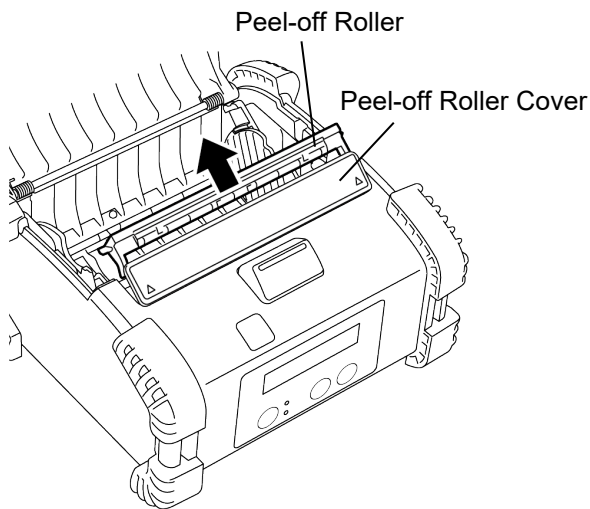
## Before using a peel-off unit

When issuing labels in the peel-off mode, pull out the peel-off roller before loading a label roll.

1. Open the Top cover, and push the Peel-off Cover by the ▲ marks with your thumbs in the direction of the arrow.



2. Pull out the Peel-off Roller until the both edges completely come out with a click. Refer to "Loading the Media" on the previous page and set a label roll.

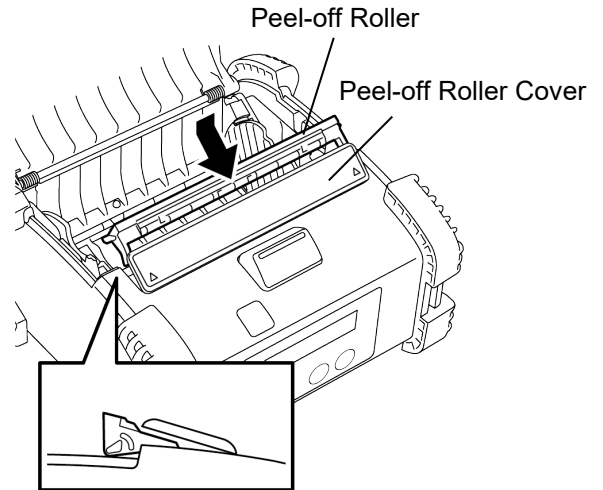


### **NOTES:**

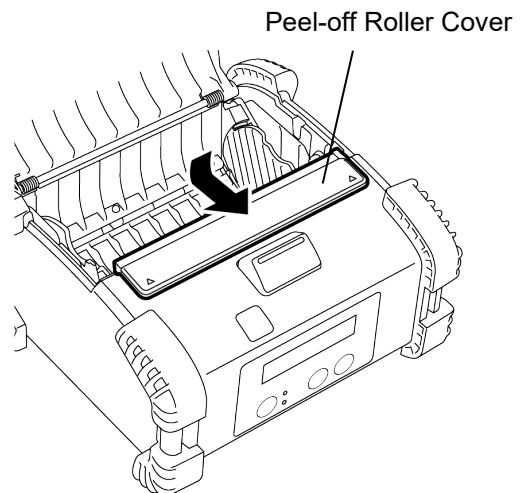
1. **DO NOT PULL** the center of the Peel-off roller hard. Doing so may break the Peel-off roller.
2. Do not forcibly pull out the Peel-off roller or push it into the printer, otherwise the Peel-off roller may break.

## ■ How to put back the Peel-off Roller

1. Slightly hold down the Peel-off Roller Cover, and insert the Peel-off Roller under the Peel-off Roller Cover.



2. Hold down the Peel-off Roller Cover, push it into the printer in the direction indicated by the arrow until it clicks.



## How to attach the accessories

### **CAUTION!**

1. Care should be taken not to drop the printer when securing it to your waist or slinging it over your shoulder.
2. For fixing the printer to your belt, the belt width should be 40 mm or less.  
Use of the other belts may cause the printer to drop.

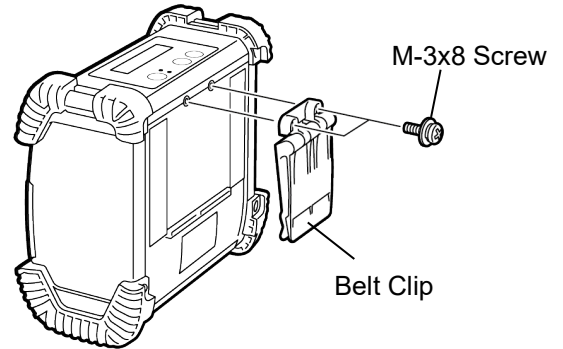
### ■ Belt Clip

When you use the printer fixing to your belt, secure the supplied Belt Clip to the printer back.

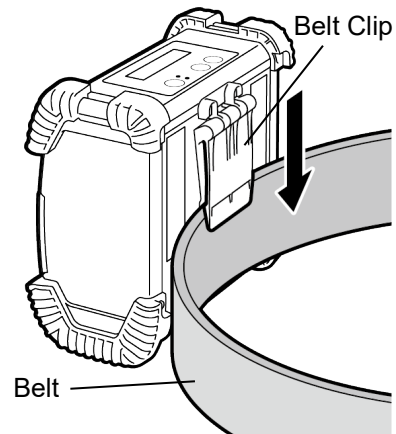
1. Secure the Belt Clip to the printer back with the two screws.

#### **NOTE:**

Only use the supplied screw to secure the Belt Clip.  
Use of other screw may damage the printer inside.



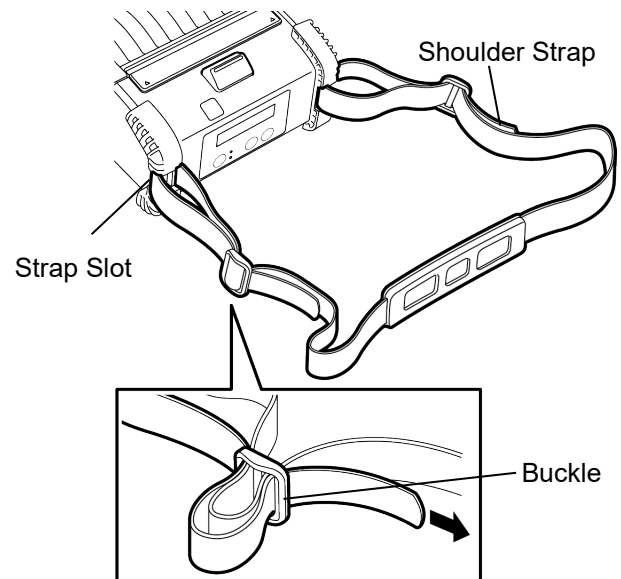
2. Fasten the Belt Clip to your belt.



### ■ Shoulder Strap (Option)

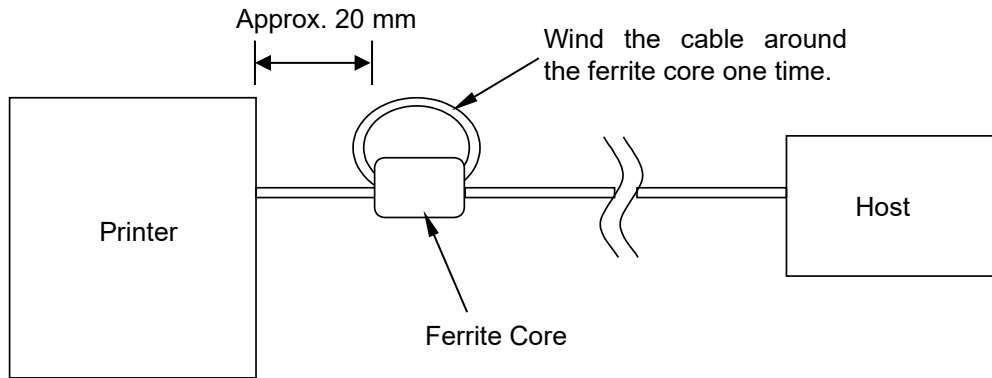
Use the following procedure to fasten an optional shoulder strap (B-EP900-SS-QM-R) to the printer.

1. Pass either end of the Shoulder Strap through the Strap Slot of the printer, as shown in the figure below.
2. Pass the end of the Shoulder Strap through the buckle. Slide the buckle to adjust the Shoulder Strap length.
3. Do the same to the other end of the Shoulder Strap.



## Data Transmission

When connecting a USB cable or an RS232C cable to the printer, put the ferrite core supplied with the printer on the cable, as shown below.



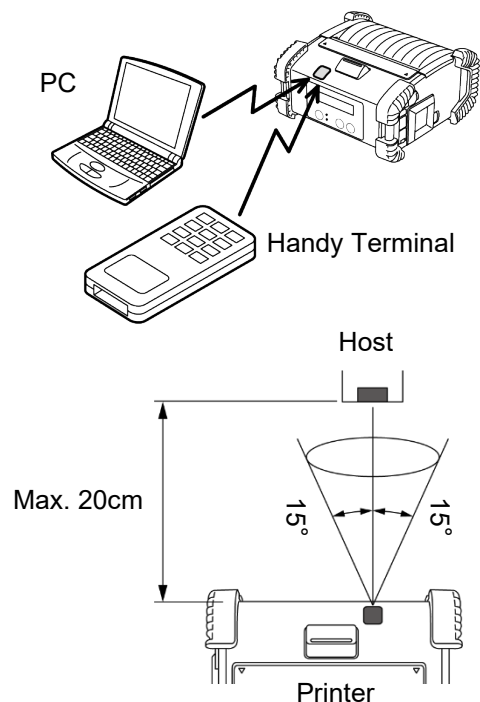
### ■ IrDA

1. Place the printer close to the host so that their IrDA windows face each other within 20 cm distance.
2. Turn on the printer and the host, and send data from the host to the printer.

#### **NOTE:**

While communicating, avoid location where the IrDA window is subjected to direct sunlight. A communication failure may occur.

- To communicate with the host via IrDA, it is required to configure the printer settings on the host.
- Communicable distance and angle is shown in the figure on the right. Note that this performance is obtained under 1000 lux or less of fluorescent lamp light.

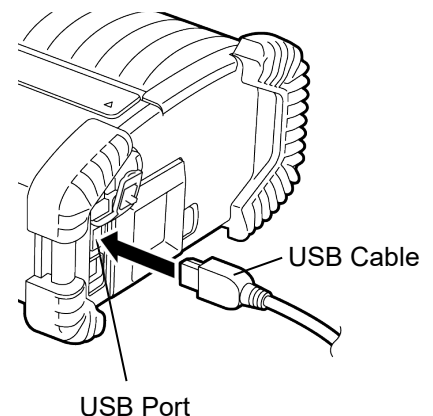


### ■ USB

1. Turn on the host and start the system.
2. Turn on the printer and connect a USB cable to the printer.
3. Connect the USB cable to the host.
4. Send data from the host to the printer.

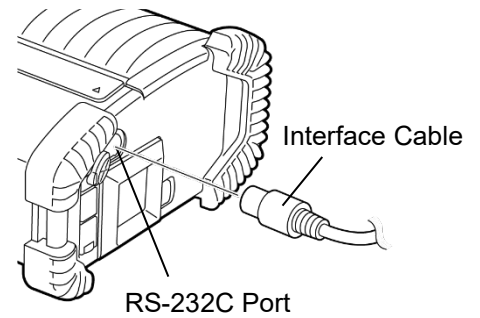
#### **NOTE:**

- For details of the interface cable, please consult the nearest Toshiba Tec representative.
- When disconnecting the USB cable, please follow the instruction of the system on the host.



### ■ Serial (RS-232C) (B-EP4DL-GH20-QM-R)

1. Connect the serial interface cable to the RS-232C port on the printer.
2. Connect the other end of the serial interface cable to the host.
3. Turn on the printer and the host, and send data from the host to the printer.

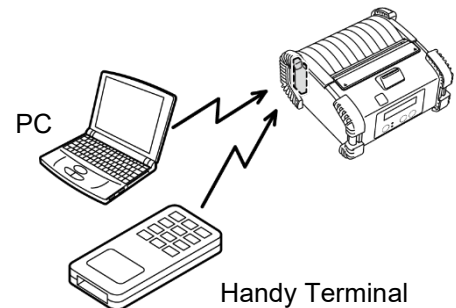


#### **NOTE:**

*For details of the interface cable, please consult the nearest Toshiba Tec representative.*

### ■ Wireless (B-EP4DL-GH32-QM-R, B-EP4DL-GH42-QM-R)

1. In the case of Bluetooth, place the printer within 3 m from the host.  
In the case of wireless LAN, place the printer within a wireless coverage area.
2. Turn on the printer and the host, and send data from the host to the printer.

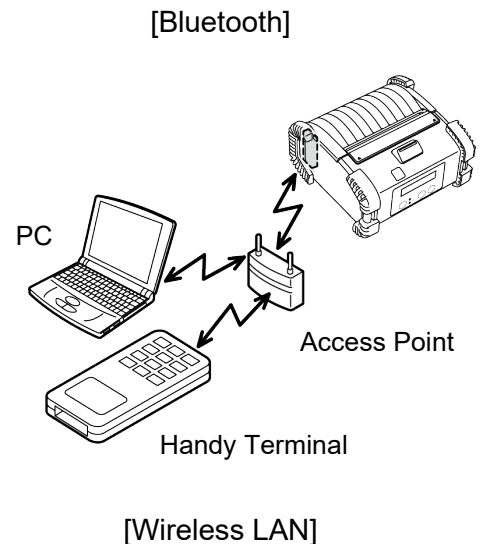


#### **NOTE:**

- Please be sure to read "Precautions for Handling of Wireless Communication Devices" before operating the printer.
- Confirm that there is no obstacles between the printer and the host. Obstacles may cause a communication failure.

The radio connectivity is affected by the operating environment. Especially, metal obstacles, metal powder, or locations enclosed by metal walls may prevent proper communication.

For the installation location of access points, please consult the nearest Toshiba Tec representative.





## Troubleshooting

When a problem occurs during operation, please check the following troubleshooting guide and take corrective action.

If you cannot solve a problem with the following solutions, do not attempt to repair it by yourself. Turn off the printer, remove the battery pack, then contact a Toshiba Tec service representative for assistance.

-QM

### **If an error message is displayed.**

When an error message is displayed, follow the respective instruction, then press the [PAUSE] button. The error will be cleared.

Error Message	Cause	Solution
COMMS ERROR	A parity error or framing error has occurred during communication by RS-232C.	Turn off the [POWER] button, then back to on. Send data from the host to the printer again. If the problem recurs, please turn off the power and contact Toshiba Tec service representative.
PAPER JAM ****	The media is not loaded properly.	Load the media properly.
	The media is jammed in the printer.	Remove the jammed media, and load the media properly. Press the [PAUSE] button.
	The media is not fed properly.	Load the media properly and press the [PAUSE] button.
	The reflective sensor does not detect black marks.	Load the media properly.
	The transmissive sensor does not detect gaps between labels.	Load the media properly. If the problem recurs, set a threshold again.
NO PAPER ****	The printer ran out of media.	Load a new media roll and press the [PAUSE] button.
COVER OPEN ****	The top cover is opened.	Close the top cover.
HEAD ERROR	A part of the print head element is broken.	Turn off the printer and contact Toshiba Tec service representative for replacement of the print head.
FLASH WRITE ERR.	A flash memory write error occurred.	Turn off the [POWER] button, then back to on. Send data from the host to the printer again. If the problem recurs, please turn off the power and contact Toshiba Tec service representative.
FORMAT ERROR	A flash memory format error occurred.	Turn off the [POWER] button, then back to on. Send data from the host to the printer again. If the problem recurs, please turn off the power and contact Toshiba Tec service representative.

Error Message	Cause	Solution
<b>FLASH MEM FULL</b>	The flash memory has insufficient area for storing data.	Turn off the [POWER] button, then back to on. Send data from the host to the printer again. If the problem recurs, please turn off the power and contact Toshiba Tec service representative.
<b>LOW BATTERY</b>	Remaining battery capacity is low.	Turn off the printer, and replace the battery pack with a fully charged one.
<b>EXCESS HEAD TEMP</b>	The print head temperature reached the upper limit of the operating temperature.	Stop printing and wait until the printer automatically restores. If the problem recurs, please turn off the power and contact Toshiba Tec service representative.
<b>AMBIENT TEMP ERR</b>	The ambient temperature reached the upper limit of the operating temperature.	Stop printing until the ambient temperature falls within the printer's operating temperature range.
<b>BATT. TEMP ERROR</b>	The battery is extremely hot.	Turn off the printer, disconnect the power adapter if connected, and wait until the battery temperature falls within the printer's operating temperature range.
<b>HIGH VOLT. ERROR</b>	The battery voltage is abnormal.	Turn off the printer, remove the battery, reload it, and turn on the printer again. If the problem recurs, please turn off the power and contact Toshiba Tec service representative.
<b>CHARGE ERROR</b>	An error was detected while charging the battery.	It could be the end of battery life. Replace the battery pack with a new one.
Command error example <b>PC001;0A00,0300,</b>	When a command error occurs, up to 16 digits of alphanumeric or symbol are displayed on the upper line of the LCD.	Turn off the [POWER] button, then back to on. Send data from the host to the printer again. If the problem recurs, please turn off the power and contact Toshiba Tec service representative.
Other error messages	A hardware or software failure occurs.	Turn off the [POWER] button, then back to on. If the problem recurs, please turn off the power and contact Toshiba Tec service representative.

\*\*\*\*: The number of unprinted labels 1 to 9999 (in units of label)

## When the printer does not operate properly

In the case of the following symptoms, please check the respective points and take corrective action.

Symptom	Point to check (Cause)	Solution
The printer does not turn on by pressing the POWER switch.	The battery pack is not loaded correctly.	Load a fully charged battery pack correctly.
Fully charged battery is loaded but the operating time is short.	The battery life is expired.	Load a fully charged new battery pack correctly.
The printer cannot communicate via IrDA.	The printer is not turned on.	Turn on the printer.
	Distance to the host is too far. .	Bring the printer close to the host so that their IrDA windows face each other within 10cm.
	Angle of the IrDA window is not proper.	Move the printer so that the IrDA window face that of the host.
	Direct sunlight is coming into the IrDA window	Avoid direct sunlight.
	IrDA window is dirty.	Clean the IrDA window.
	Serial interface cable is connected. (B-EP4DL-GH20-QM-R)	Disconnect the RS-232C cable from the printer.
The printer cannot communicate via IrDA.	The printer is communicating via wireless communication. (B-EP4DL-GH32-QM-R, B-EP4DL-GH42-QM-R)	Terminate the wireless communication.
	Communication conditions are incorrect.	Set the communication conditions correctly
	Issue mode is incorrect.	Select a correct issue mode.
	Transmission speed is incorrect.	Send data at correct transmission speed.
The printer cannot communicate via USB.	The printer is not turned on.	Turn on the printer.
	Serial interface cable is connected. (B-EP4DL-GH20-QM-R)	Disconnect the RS-232C cable from the printer.
	The printer is communicating via wireless communication. (B-EP4DL-GH32-QM-R, B-EP4DL-GH42-QM-R)	Terminate the wireless communication
	Issue mode is incorrect.	Select a correct issue mode.
The printer cannot communicate via serial interface (B-EP4DL-GH20-QM-R)	The printer is not turned on.	Turn on the printer.
	The interface cable is not connected properly.	Completely connect the interface cable.
	Issue mode is incorrect.	Select a correct issue mode.
	Communication conditions are improper.	Set the communication conditions properly.
The printer cannot communicate via Bluetooth. (B-EP4DL-GH32-QM-R)	The printer is not turned on.	Turn on the printer.
	Distance to the host is too far.	Bring the printer close to the host within 3 m.
	The printer is used in a location where it is subjected to noise or interference.	Avoid such location.
	The printer address is not correctly set on the host.	Correctly set the print address on the host.
	Issue mode is incorrect.	Select a correct issue mode.

Symptom	Point to check (Cause)	Solution
The printer cannot communicate via wireless LAN. (B-EP4DL-GH42-QM-R)	The printer is not turned on.	Turn on the printer.
	Distance to the host is too far.	Bring the printer within a wireless coverage area.
	Obstacles block the radio wave.	Use the printer in a location with no obstacles.
	The printer is used in a location where it is subjected to noise or interference.	Avoid such location.
	The printer address is not correctly set on the host.	Correctly set the print address on the host
	Channel setting for the access point or host is incorrect.	Avoid using a channel which interferes with adjacent access points.
	Issue mode is incorrect.	Select a correct issue mode.
Printout iso light.	The print head is dirty.	Clean the print head.
	The media is not loaded properly.	Load the media properly.
	Deteriorated media is used.	Load a new media roll.
	The media is not a Toshiba Tec approved one	Use Toshiba Tec approved media.
The printer received print data but does not print.	The STATUS lamp is lit or blinking.	Clear the error
	The media is not loaded properly.	Load the media properly.

# Toshiba Tec Corporation

© 2006-2022 Toshiba Tec Corporation All Rights Reserved  
1-11-1, Osaki, Shinagawa-ku, Tokyo 141-8562, JAPAN



PRINTED IN INDONESIA  
BU22001400-EN